

THE EXCELLENCE OF OE TECHNOLOGY IN AFTERMARKET



www.ufifilters.com



UFI FILTERS CHOSEN BY THE BEST



www.ufifilters.com

INDEX

FUEL FILTERS	04
Alfa Romeo	05
FCA	06
Volkswagen	07
BMW	08
Jeep	09
Renault - Nissan	10
Hyundai	11
FCA / PSA	12
Volvo / Volkswagen	13
OIL FILTERS	14
Alfa Romeo	15
BMW	16
General Motors	17
Maserati	18
Porsche	19
AIR FILTERS	20
AMG	21
Volkswagen	22
Fiat	23
CABIN AIR FILTERS	24
The Range	25
THE AFTERMARKET BUSINESS UNIT	26
THE GROUP BY NUMBERS	27



FUEL FILTERS

CUTTING EDGE TECHNOLOGY

The filtration processes that refinery fuels are subjected to only **retain particles** with dimensions **between 50 and 80 microns**; therefore just the smaller pollutant particles remain in the fuel. During the transfer from the refinery to the end consumer, the **fuel** will inevitably **come into contact with other contaminants** in barrels and tanks.

Water, sludge, and all the **other pollutants** contained within the fuels are **particularly harmful to cars**. The **diesel filter**,

therefore, is a crucial component that ensures proper maintenance and performance of a vehicle.

The UFI Filters Group has developed the most **technologically advanced solutions** to meet all filtration requirements, including efficiency, particle retention capacity, water separation and pressure drop resistance.

ALFA ROMEO

DIESEL FILTER

DESCRIPTION

The diesel module is made entirely of **plastic** and comprises a **main body onto** which a **cap** is screwed. This element is the result of a complex design process which has led to an overall reduction in components and consequent **weight reduction**. The cartridge is made with **DFM** (Deep Filtration Media), an **exclusive formula** developed in the **Innovation Centres of UFI Filters** which contains polyamide in the form of fibres.

The complete module includes the **group sensor** that integrates electrical and electronic devices to:

- measure the temperature of the fuel;
- heat the fuel in low temperature conditions; and
- indicate the water level in the collection chamber.

A water and fuel **bleed screw** is located at the base of the lower cap for servicing operations and there are **two connectors** for the inlet and outlet of the diesel fuel on the main casing. Finally, a pressure **regulator valve** is located on the cartridge, the positioning of which is protected by **patent**.

MAIN APPLICATIONS

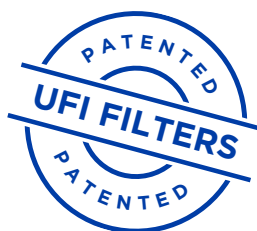
ALFA ROMEO Giulia (Giorgio) 2.2 JTD 03/16 ›

SPARE PARTS CODE

26.076.00

PLUS

- + **Water-diesel separation capacity:** >95% according to ISO 16332.
- + **High filtering performance:** >90% for particles up to 4 µm according to ISO 19438.
- + **100% environmentally friendly:** made of recyclable materials.
- + **“Last chance”** stage for cold starts.



FCA

DIESEL FILTER

DESCRIPTION

The **steel housing** of the diesel fuel module is made using a cold sheet metal stamping process that guarantees **great mechanical strength**, even in the event of an accident. The **aluminium cover** integrates **two connectors** for the inlet and outlet of the diesel fuel, **a water bleed screw** for servicing operations and a connector which houses an electronic component with triple function.

The cartridge comprises **two patented elements**:

- a pressure regulator valve; and
- a plastic cover on the top which contains a flat mesh.

The cartridge, made with **DFM** (Deep Filtration Media), internally developed, is distinguished by a **unique formula** that removes impurities and water particles. The filtration process is completed by the **"last chance"** stage.

MAIN APPLICATIONS

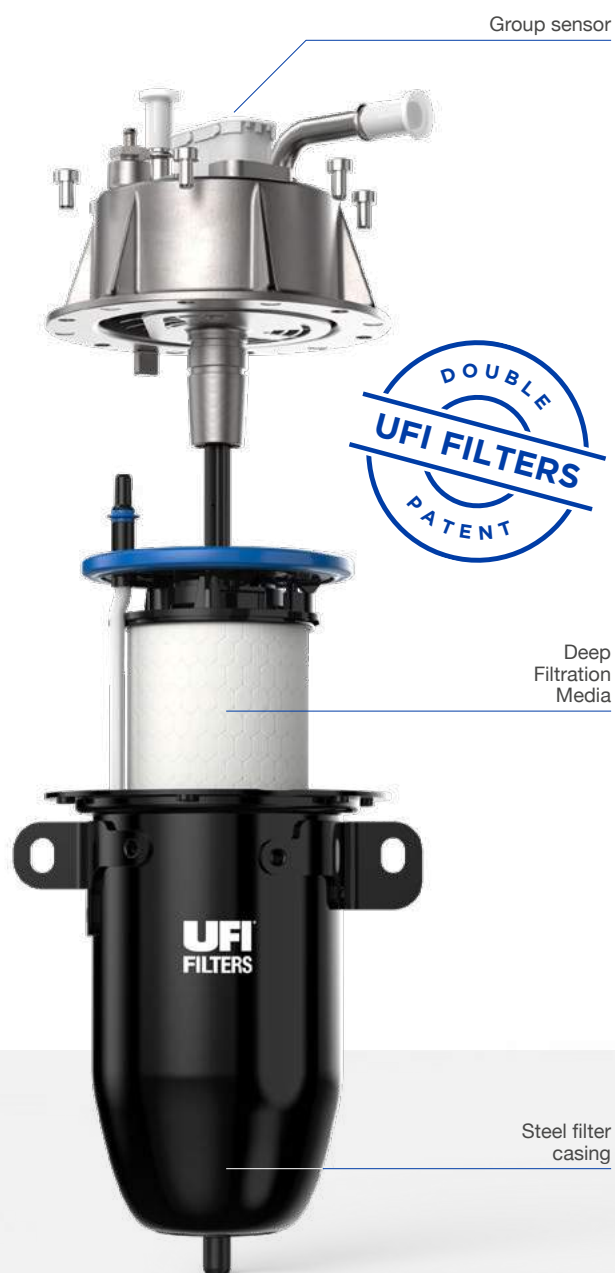
ALFA ROMEO Giulietta (940) 2.0 JTDm-2 08/13 ›
FIAT 500 L (330) 1.3, 1.6 16V Multijet 06/14 ›
JEEP Renegade (BU) 1.6, 2.0 Multijet II 07/14 ›
MASERATI Ghibli 3.0 V6 Diesel 06/13 ›

SPARE PARTS CODE

26.052.00

PLUS

- + **Water-diesel separation capacity:**
>95% in compliance with ISO 16332.
- + **High filtering performance:** >90% for particles up to 4 µm according to ISO 19438.
- + Depth septum with **graduated porosity**.
- + **Coalescence** water-diesel separation system.



VOLKSWAGEN

DIESEL FILTER

DESCRIPTION

The complete **UFI Filters** diesel filter ensures **the correct operation** of the vehicle, protecting the injection system and **limiting fuel consumption and pollutant emissions**. The module comprises a **“green”** type (environmentally friendly) **immersion cartridge**, the cellulose-based filtering media of which permits an **efficient separation** of the water particles and **over 96% filtration** of impurities. Due to its position under the hood, the **main body is made of steel** and coated with a surface treatment to ensure **excellent** resistance to impact and corrosion. The same applies for the water level signalling **sensor housing**.

The cover integrates **three connectors**, two for the inlet and outlet of the diesel fuel and one for the recirculation of warm fuel coming from the engine, as well as a **water bleed screw** for servicing operations. The complete module, fastened with five screws, ensures **burst resistance of over 15 bar**.

MAIN APPLICATIONS

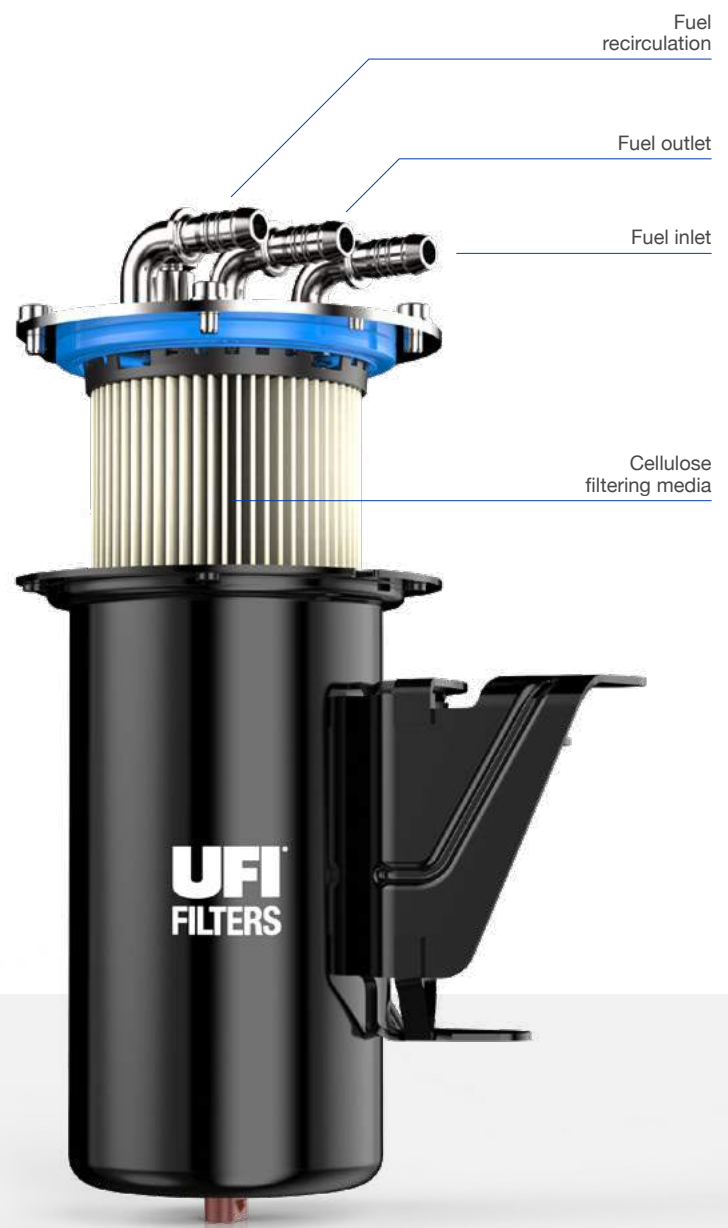
AUDI A3 (8V) 1.6, 2.0 TDI 09/13 ›
AUDI Q2 (GA) 1.6, 2.0 TDI 07/16 ›
VOLKSWAGEN Golf VII (5G1) 1.6, 2.0 TDI 11/12 ›
VOLKSWAGEN Tiguan II (AD1) 1.6, 2.0 TDI 05/16 ›

SPARE PARTS CODE

26.065.00

PLUS

- + **Water-diesel separation capacity:**
>93% in compliance with ISO 16332.
- + **High filtering performance:** >96% for particles up to 4 µm according to ISO 19438.
- + **Barrier water-diesel separation system.**
- + **Green cartridge.**



BMW

DIESEL FILTER



DESCRIPTION

The diesel filter for BMW and Mini applications is characterized by an **aluminium casing and horizontal positioning** directly connected to the chassis. This allows both the **weight and size of the unit to be kept to a minimum**.

The internal filter element, with **cellulose filtering media**, ensures a **filtration efficiency of over 96%** with particles of 4 μm , even with high mileages.

The module comprises a **“for-life” electric/electronic component**, mainly to **heat the diesel** under low temperature conditions, connected to a dual gasket sealing system. Complete replacement of the filter requires disconnecting the heater after removing a single clip. The complete configuration ensures **burst resistance** up to pressures of **over 15 bar**.

MAIN APPLICATIONS

BMW 2 Series Tourer (F45) 214, 216, 218, 220 d 11/14 ›
BMW X1 (F48) 18, 20, 25 d sDrive 06/15 ›
MINI Cooper D (F56) 1.5 D 02/14 › 01/16

SPARE PARTS CODE

31.926.01

PLUS

- + **High filtering performance:** >96% for particles up to 4 μm in compliance with ISO 19438.
- + **Burst resistance** over 15 bar.
- + **Electric heater** assisting during cold starts.
- + **Under chassis**.

JEEP

DIESEL FILTER

DESCRIPTION

The module is formed by a **double filtration system**. An external aluminium casing with two internal filtering cartridges made of 100% synthetic materials ensures a **high filtration capacity** coping with fuel impurities of up to 4 µm in diameter. The water separation **efficiency is over 95%**, thanks to the “coalescence” principle which allows particles dispersed in the diesel to agglomerate into larger droplets, thereby facilitating the separation.

The **UFI filtration module** is able to work at **high pressures** and ensures the **maximum protection** of the Multijet injection systems from wear due to water residues or particles present in the diesel fuel.

The module comprises:

- an **electric heater** for low temperature conditions;
- a **sensor** to signal the water level in the collection chamber; and
- a **water bleed screw**.

MAIN APPLICATIONS

JEEP Cherokee (KL) 2.0 CRD 04/14 ›
JEEP Wrangler (JK) 2.8 CRD 11/10 ›

SPARE PARTS CODE

26.019.01

PLUS

- + **High filtering performance:** >96% for particles up to 4 µm according to ISO 19438.
- + High resistance structure with **aluminium casing**.
- + **Double filtration system**.
- + **Deep Filtration Media**.

Heater

Water presence sensor



RENAULT NISSAN

DIESEL FILTER

DESCRIPTION

For the new Nissan and Renault applications, **UFI Filters** has developed a fuel filter that **meets all technical requirements** of the latest generation engines. The steel casing houses a filter element capable of ensuring a **high level of filtration** and **high water separation capacity from diesel fuel**.

The filter is crowned by a group sensor which integrates electrical/electronic devices for the following functions:

- measurement of the fuel temperature;
- fuel heating in low temperature conditions; and
- signalling of the water level in the collection chamber.

The water is bled via a **valve** located on the bottom of the filter. Servicing involves the **replacement of the complete module**, comprising filter and group sensor.

MAIN APPLICATIONS

NISSAN Qashqai II (J11) 1.5, 1.6 DCI 02/14 ›
NISSAN X-Trail (T32) 1.6 DCI 2WD 12/13 ›
RENAULT Kadjar 1.5, 1.6 DCI 110 06/15 ›

SPARE PARTS CODE

24.095.01

PLUS

- + **Water-diesel separation capacity:** >95% according to ISO 16332.
- + **High filtering performance:** >94% for particles up to 6 µm according to ISO 19438.
- + **High resistance structure** with steel casing.
- + **Passive electric heater** for the prevention of paraffins in winter.

Group sensor

Deep Filtration Media

Bleed screw



HYUNDAI

DIESEL FILTER

DESCRIPTION

The diesel fuel module for Hyundai applications comprises an **aluminium head** that acts as a seat for the fuel **connectors** and the **pressure sensor**, a **heater** and the **filter** on which the **water presence sensor** is located. This is all supplied inside a retainer to protect the system in an impact.

A **dual stage filter element** is housed inside the steel casing of the filter: a first barrier for impurities and water formed by a **cellulose based media** and a second made of a **hydrophobic mesh** to eliminate residual water particles.

The guaranteed **filtering efficiency** is **greater than 99% at 4 µm**, while the **water separation exceeds 90%**.

The water presence sensor alerts the user when an excessive amount collects at the bottom of the filter.

Filter replacement simply requires its disassembly from the other components in the filtering system.

MAIN APPLICATIONS

HYUNDAI Tucson II 1.7, 2.0 CRDI 06/15 ›
KIA Sportage IV 1.7, 2.0 CRDI 01/16 ›

SPARE PARTS CODE

24.123.00

PLUS

- + **Water-diesel separation capacity:** >90% according to ISO 16332.
- + **High filtering performance:** >99% for particles up to 4 µm according to ISO 19438.
- + **Dual stage filtration** filtering cartridge.
- + **Quick and easy** service **replacement** of the filter.



FCA PSA

DIESEL FILTERS

DESCRIPTION

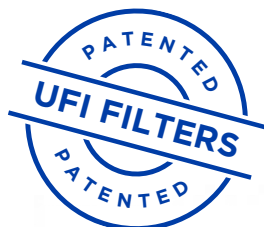
The DEFENDER 60.H2O.00 filter, **patented by UFI Filters**, is a **high water-fuel separating system** to ensure optimum maintenance and performance of a vehicle. **DFM** filtration media, developed internally by **UFI**, is **highly efficient** and has a **long-life**. The filter has been developed as a replacement for the complete modules designed for Multijet engines.

MAIN APPLICATIONS

FIAT 500 (150) 1.3 MJT 16V 07/07 ›
FIAT Doblò (119) 1.3 MJTD 16V 07/05 ›
LANCIA Ypsilon 1.3 JTD 16V Multijet 05/03 › 10/06
OPEL Corsa C 1.3 CDTI 16V 09/03 › 11/06
VAUXHALL Corsa Mk2 1.3 CDTI 16V 01/05 ›

SPARE PARTS CODE

60.H20.00



PLUS

- + Water-diesel separation capacity:
>95% according to ISO 16332.
- + 100% environment-friendly.

DESCRIPTION

The diesel filter in the **ONE** range is a “**seamed**” type with a steel casing. The filtering media, researched and developed in **UFI Filters** laboratories, is made from **synthetic material** and is composed of polymers which create a depth septum characterised by a “volumetric” graduated porosity gradient. Equipped with **water presence sensor**, it functions as both a “**pre-filter**” and “**fine filtration**” within the same cartridge.

MAIN APPLICATIONS

CITROEN Jumper III 3.0 HDI 180 FAP 07/12 ›
FIAT Ducato (MY.2011) 2.0, 2.3, 3.0 16V Multijet
PEUGEOT Boxer III 3.0 HDI 180 FAP 07/12 ›

SPARE PARTS CODE

24.ONE.0B



PLUS

- + Water-diesel separation capacity:
>95% according to ISO 16332.
- + Depth septum with **graduated porosity**.

VOLVO VOLKSWAGEN

FUEL FILTERS

DESCRIPTION

This petrol filter, which is fitted on Volvo Group cars, delivers long distances between servicing and a **very high degree of filtration** of solid state pollutants. It has a **steel casing** to support high operating pressures and a **cellulose based media** capable of **blocking at least 86%** of particles equal to 5 µm.

MAIN APPLICATIONS

VOLVO V40 II 1.5, 2.0, 2.5 T2, T3, T4, T5 02/15 ›
VOLVO XC60 3.0 T6 AWD 04/14 ›

SPARE PARTS CODE

31.918.03



PLUS

- + High resistance structure with steel casing.
- + High filtering performance: >86% for particles up to 5 µm according to ISO 19438.

DESCRIPTION

The filter is made of a plastic external body and an internal filtering element capable of also filtering particles with dimensions close to 2 µm with an **efficiency over 98%**. To obtain these levels of filtering efficiency a **media consisting of plastics fibres** specific for LPG fuel has been developed. The Volkswagen LPG filters have obtained the homologation according to the European regulation ECE/ONU R67/01 Class 2.

MAIN APPLICATIONS

SEAT Ibiza V (6J) 1.6 BiFuel GPL/LPG 05/11 ›
SKODA Octavia II 1.6 GPLLine 10/12, 11/12 ›
VOLKSWAGEN Golf Plus VI (521) 1.6 BiFuel 06/11 › 12/13
VOLKSWAGEN Golf VI (5K1) 1.6 BiFuel 05/11 › 12/13

SPARE PARTS CODE

48.001.00



PLUS

- + Plastic casing for weight reduction.
- + High filtering performance: >98% for particles up to 2 µm according to ISO 12500.



OIL FILTERS

THE MOST INNOVATIVE FILTRATION SYSTEMS

A number of new issues have emerged in recent years due to the technological evolution that has caused the down-sizing of engines, the introduction of start-stop systems and the increasingly demanding environmental regulations that have led to the development of Euro 6 engines (and Euro 7 in the future). These **new issues** include:

- new “long life” oils;
- new additives to increase lubricity;
- the presence of soot and biodiesel in the oil; and
- mineral and non-mineral oils and their degradation and contamination.

To ensure the proper operation of the engines, the **UFI Filters Group** has developed **new filtering solutions**, composed of synthetic fibres that can also interact with the soot and biodiesel.

The **correct dimensioning of the cartridges** allows the highest level of filtering efficiency to be achieved and prevents clogging of the filter. The attainment of targets set by regulations is also obtained through the design of “green” modules to **reduce the environmental impact and the integration of multiple functions** within the oil module and to reduce the dimensions and weights of the engines.

ALFA ROMEO

OIL FILTER

DESCRIPTION

The module for Alfa Romeo applications comprises a **plastic filter body reinforced** with glass fibre which leads to a **significant weight reduction** compared to similar cast aluminium products. The glass fibre is essential for **structural strength**, allowing the filter to work even under operating pressures **up to 7-8 bar**.

The filter element is made of a **cellulose media** devoid of metal parts and **ultrasonic-welded**, a process which improves the seal even in the presence of extreme pressures and temperatures.

The module comprises: **heat exchanger; temperature and oil pressure sensor** at the base of the heat exchanger, located near the oil pipe; an **anti-drain valve** and a **bypass valve**, both produced by **UFI Filters**.

SPARE PARTS CODE

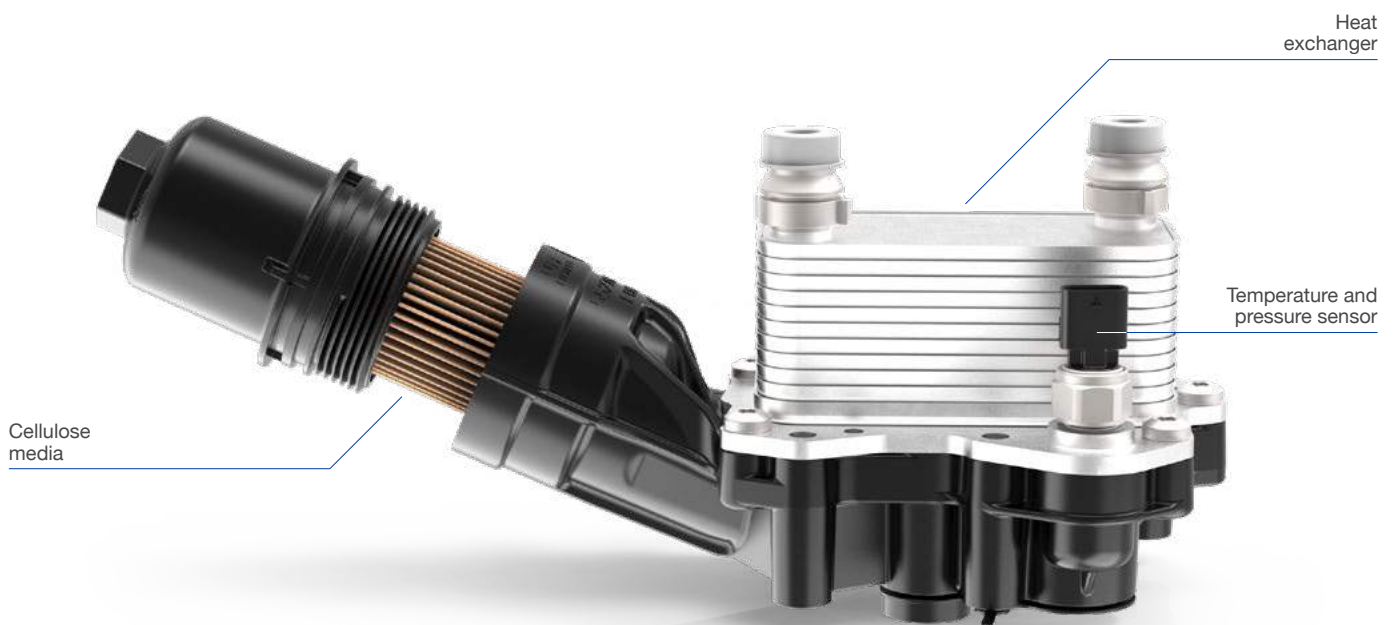
25.160.00

PLUS

- + **High filtering performance:** >50% for particles up to 12 µm according to ISO 4548.
- + **Weight reduction** due to the wide use of plastic materials.
- + **Single sensor** for pressure and temperature.

MAIN APPLICATIONS

ALFA ROMEO Giulia (Giorgio) 2.2 JTD 03/16 >



BMW

OIL FILTER

DESCRIPTION

The BMW oil module comprises a **filter casing** made entirely of plastic **reinforced with glass fibre**. The plastic structure ensures **weight savings of** about 35% compared to similar metal products, achieving **reductions in fuel consumption and pollutant emissions**. The glass fibre considerably reinforces the structure of the casing, allowing the filter to operate in **pressures up to 5 bar** for diesel and **even greater** for petrol. The filter element is made with a media capable of maximizing the filtration surface and minimizing pressure drops on both fuels. An innovative **ultrasonic-welded** method improves the seal, even in particularly severe operating conditions, and avoids the use of metal. The oil module is equipped with a **heat exchanger** and a **series of valves** developed and manufactured entirely by **UFI Filters**.

The casing contains **a by-pass valve** and **two anti-drain valves**, one of which can also work as a by-pass valve.

MAIN APPLICATIONS

BMW 1 Series (F20) M140 i 06/16 ›
BMW 1 Series (F21) M140 i 06/16 ›
BMW 3 Series (F30) 340 i 07/15 ›
BMW 7 Series (G11/G12) 730 d 06/15 ›

SPARE PARTS CODE

25.148.00



PLUS

- + **High filtering performance:** >50% for particles up to 13 µm according to ISO 4548.
- + **100% environment-friendly:** made of recyclable materials.
- + General oil module for **diesel and petrol engines**.
- + Substantial **weight reduction**.

GENERAL MOTORS

OIL FILTER

DESCRIPTION

The oil module for General Motors applications, which also houses the **heat exchanger**, is made in **pressure die-cast aluminium**.

The **cartridge inside** the module is made of **synthetic fibre**, allowing a very **high filtering efficiency** for contaminants, which could agglomerate over time and clog the filter. To ensure a reduction in pressure drops as well as increased durability, the **synthetic fibres** feature a **high permeation rate** and **thermal-chemical compatibility**.

Only the cartridge is replaced during servicing, simply by unscrewing the cap. The filter guarantees a **high filtration efficiency**: 50% for particles up to 5 µm, in compliance with ISO 16889.

Aluminium cap

MAIN APPLICATIONS

CHEVROLET (EU) Captiva C140 2.2 VCDI 163 01/13 ›

OPEL Antara 2.2 CDTI 01/13 ›

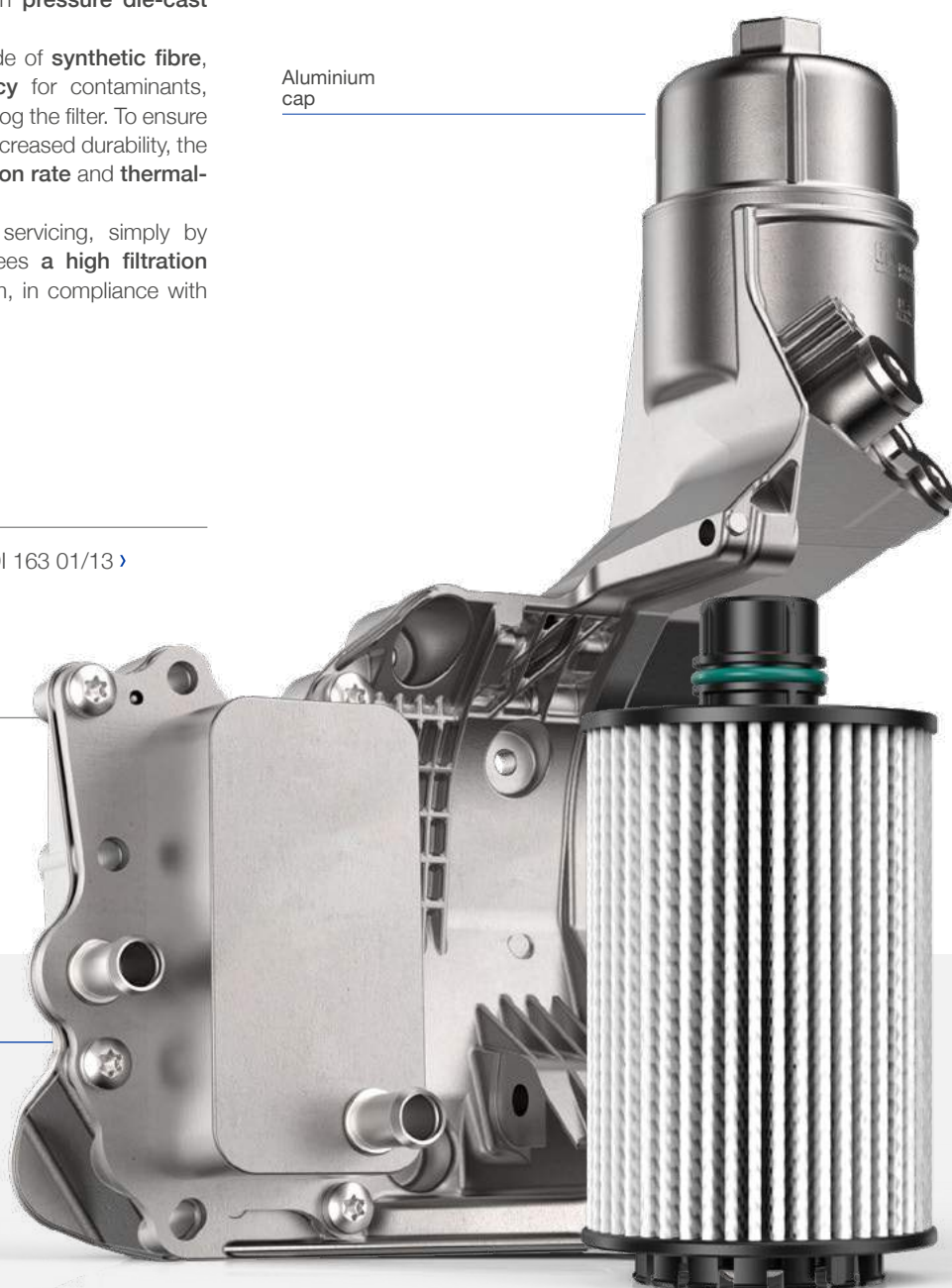
VAUXHALL Antara 2.2 CDTI 01/13 ›

SPARE PARTS CODE

25.088.00

PLUS

- + Synthetic fibre filter media.
- + Low pressure drops.
- + Aluminium casing.
- + Acts as an engine mounting.



MASERATI

OIL FILTER

DESCRIPTION

Due to the complexity of flows inside the complete oil module for Maserati applications, combined with the limited space available in the car, it was necessary to develop a **two piece pressure die-cast aluminium** filter casing.

The filter **cap** is made of **high mechanical strength** plastic, able to withstand burst pressures over 20 bars.

The **cartridge** is made of **cellulose media**, capable of ensuring an efficiency greater than 50% at 12 µm, according to ISO 4548. Only the cartridge is replaced during servicing, simply by unscrewing the cap.

MAIN APPLICATIONS

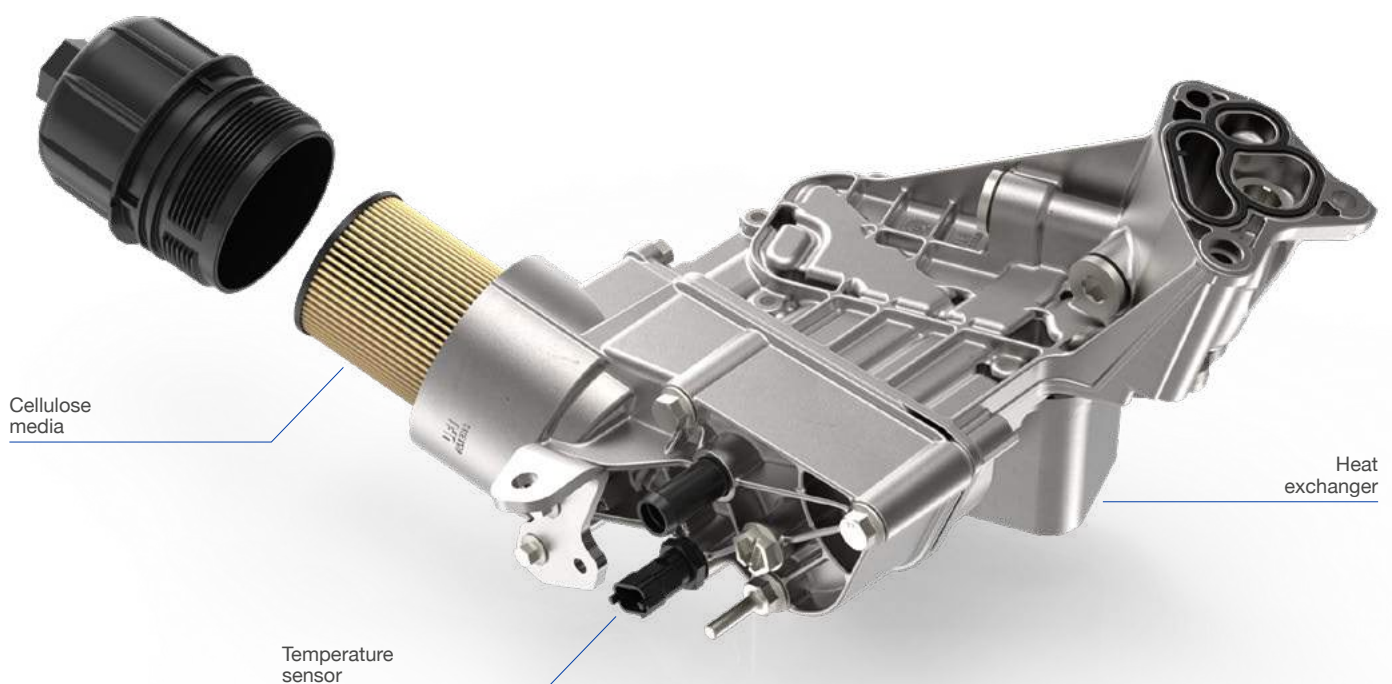
MASERATI Ghibli 3.0 V6 Diesel 06/13 ›
MASERATI Levante 3.0 V6 Diesel 05/16 ›
MASERATI Quattroporte V 3.0 V6 Diesel 01/14 ›

SPARE PARTS CODE

25.112.00

PLUS

- + High filtering performance: >50% for particles up to 12µm according to ISO 4548.
- + Low pressure drops.
- + Temperature sensor.



PORSCHE

OIL FILTER

DESCRIPTION

The **oil module** for Porsche applications, jointly developed with the manufacturer's technical department, has **reduced dimensions** to fit the limited space available in the car.

The refined design of the **aluminium casing** and **plastic cap** **exceeds the set burst requirements of 40 bar**.

The **filter cartridge**, with **cellulose based media**, has been developed to meet a **collapse requirement equal to 9 bar**.

The **filtering efficiency** is **greater than 50%** at 19 µm, in compliance with ISO 4548.

MAIN APPLICATIONS

PORSCHE 718 Boxster (982) 2.0, 2.5 03/16 ›

PORSCHE 718 Cayman (982) 2.0, 2.5 03/16 ›

SPARE PARTS CODE

25.149.00

Drain system

PLUS

- + **High filtering performance:** >50% for particles up to 19 µm in compliance with ISO 4548.
- + **Low pressure drops.**
- + **High burst pressure resistance.**
- + **Oil drain system.**



AIR FILTERS



THE BEST PROTECTION FOR THE ENGINE

The air filter is an **essential element** for the life of the car because it **purifies the air** entering the combustion chamber, **improving the carburation** of the engine and reducing **fuel consumption**.

Without an air filter the engine would be exposed to impurities such as dust and sand particles, which could cause **premature wear**. Such could block valves and injectors and cause sudden breakages.

Furthermore, the flow of air going to the engine could exceed the fuel flow, requiring compensation through the control unit. Thanks to its high filtering efficiency the **UFI filters** prevent **any unnecessary alteration in the fuel flow into the carburettor** and the **consequent loss of power, increased fuel consumption and emission of pollutants**.

AMG

AIR FILTER

DESCRIPTION

The filtration module for AMG applications has been carefully designed by **UFI Filters** technicians to meet exacting space and weight reduction requirements while also ensuring the **maximum filtering capacity** and a **reduction in engine noise**. The body of the airbox is a **plastic structure** fully integrated into the engine's mechanical parts, ensuring **compactness and lightness**.

The **long-life** type **filtering panel** is the heart of this module, using **filter media** composed of **cellulose fibres** and with a certified capacity that complies with ISO 5011.

It is capable of filtering out even the smallest particles which could damage the delicate systems of such a powerful engine.

SPARE PARTS CODE

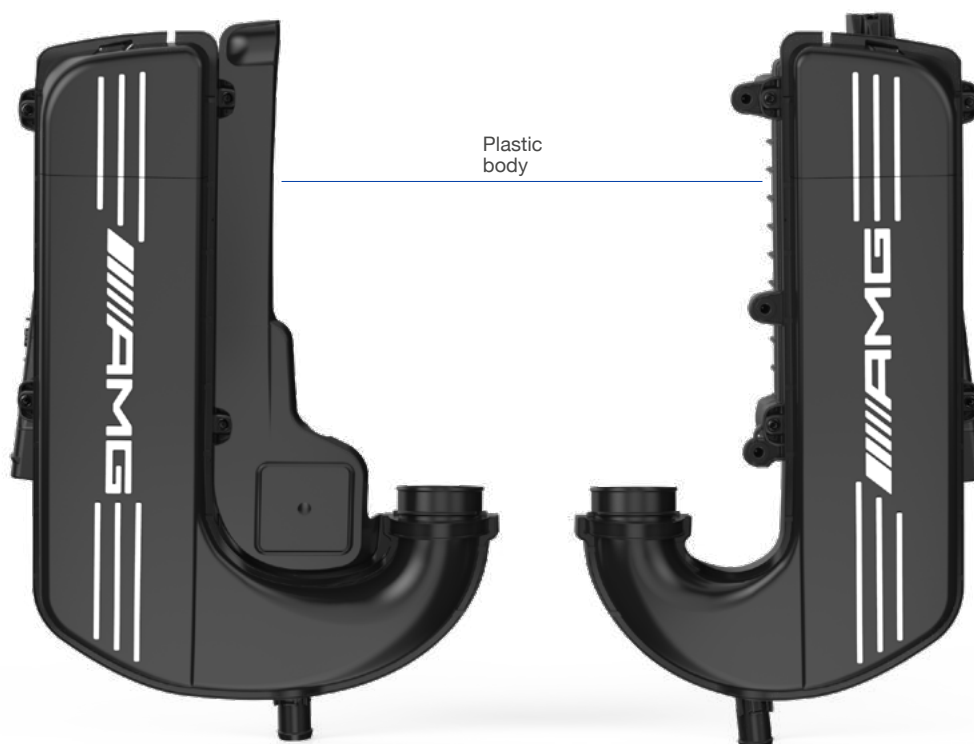
30.389.00

PLUS

- + High initial efficiency: >98.5%.
- + Structure integrated in the engine.
- + Limited engine noise.

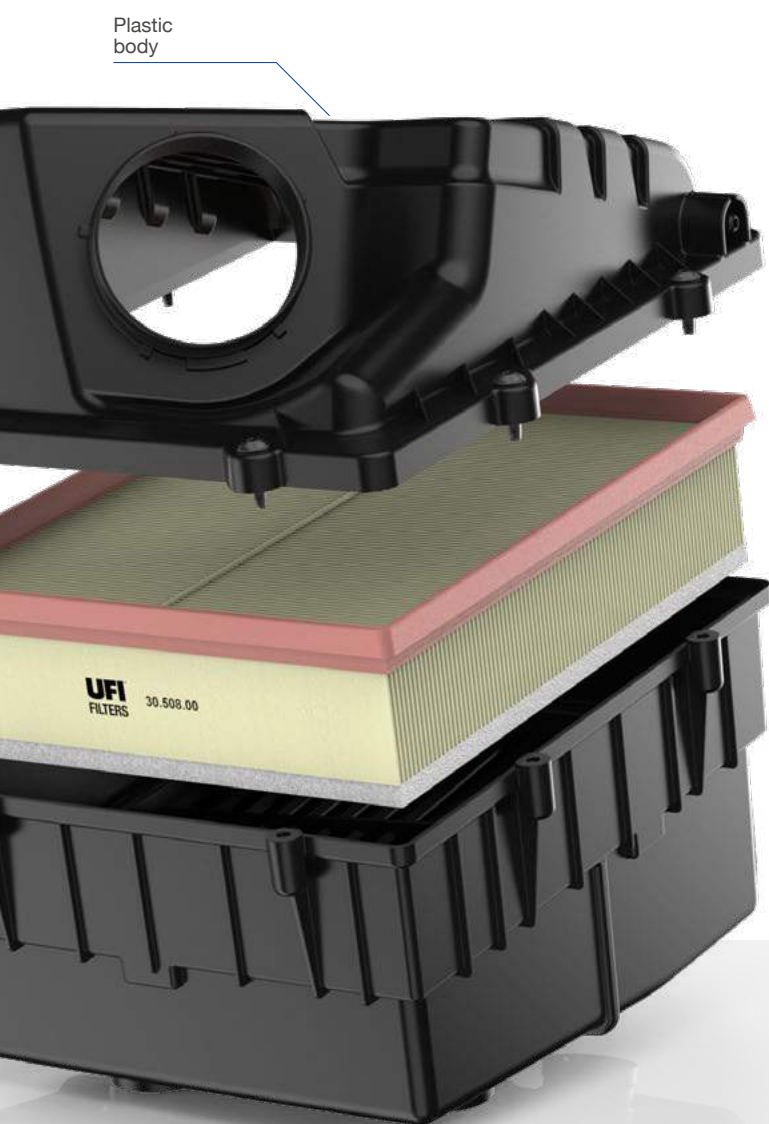
MAIN APPLICATIONS

MERCEDES BENZ SLK Class (R172) SLK 55 AMG 09/11 ›



VOLKSWAGEN

AIR FILTER



DESCRIPTION

The airbox for Volkswagen applications, jointly designed with the manufacturer's technicians, allows the module to adapt to the available space under the hood and ensures compliance with vehicle crash requirements.

It consists of **two plastic shells** screwed together to **facilitate servicing operations**. A **flat panel filter element** is housed inside with a **cellulose-based flame retardant media** to decrease the speed of fire spread and a pre-filter to achieve **final efficiency requirements greater than 99.8%**.

MAIN APPLICATIONS

AUDI A1 (8X) 1.6 TDI 11/14 ›
AUDI S1 (8X) 2.0 TFSI Quattro 01/14 ›
SEAT Toledo IV (KG3) 1.6 TDI 05/15 ›

SPARE PARTS CODE

30.508.00

PLUS

- + High final efficiency: >99.8%.
- + Flame retardant media.
- + Quick and easy replacement of the panel.

FIAT

AIR FILTER

DESCRIPTION

To save space under the hood, **UFI Filters** has designed an **air filter** that is fully **integrated with the airbox** to create a single component.

The **replacement part** has a **flat panel structure** and is made with a **synthetic fibres filter media** and a **“non-woven fabric” pre-filter**, which allows it to capture small particles up to 4 µm and also significantly increases the accumulation capacity.

This also allows long distances to be travelled between filter changes, which may vary depending on applications.

MAIN APPLICATIONS

- ALFA ROMEO MiTo 0.9 TwinAir Turbo 12/13 ›
- FIAT 500 (150) 0.9 TwinAir Turbo 80 12/13 ›
- FIAT 500 L (330) 0.9 TwinAir Turbo 07/12 ›
- FIAT Panda (319) 0.9 TwinAir Turbo 12/13 ›
- FIAT Punto MY.2012 (199) 0.9 Twin Air Turbo 12/13 ›
- LANCIA New Ypsilon 846 0.9 TwinAir Turbo 12/13 ›

SPARE PARTS CODE

30.376.00

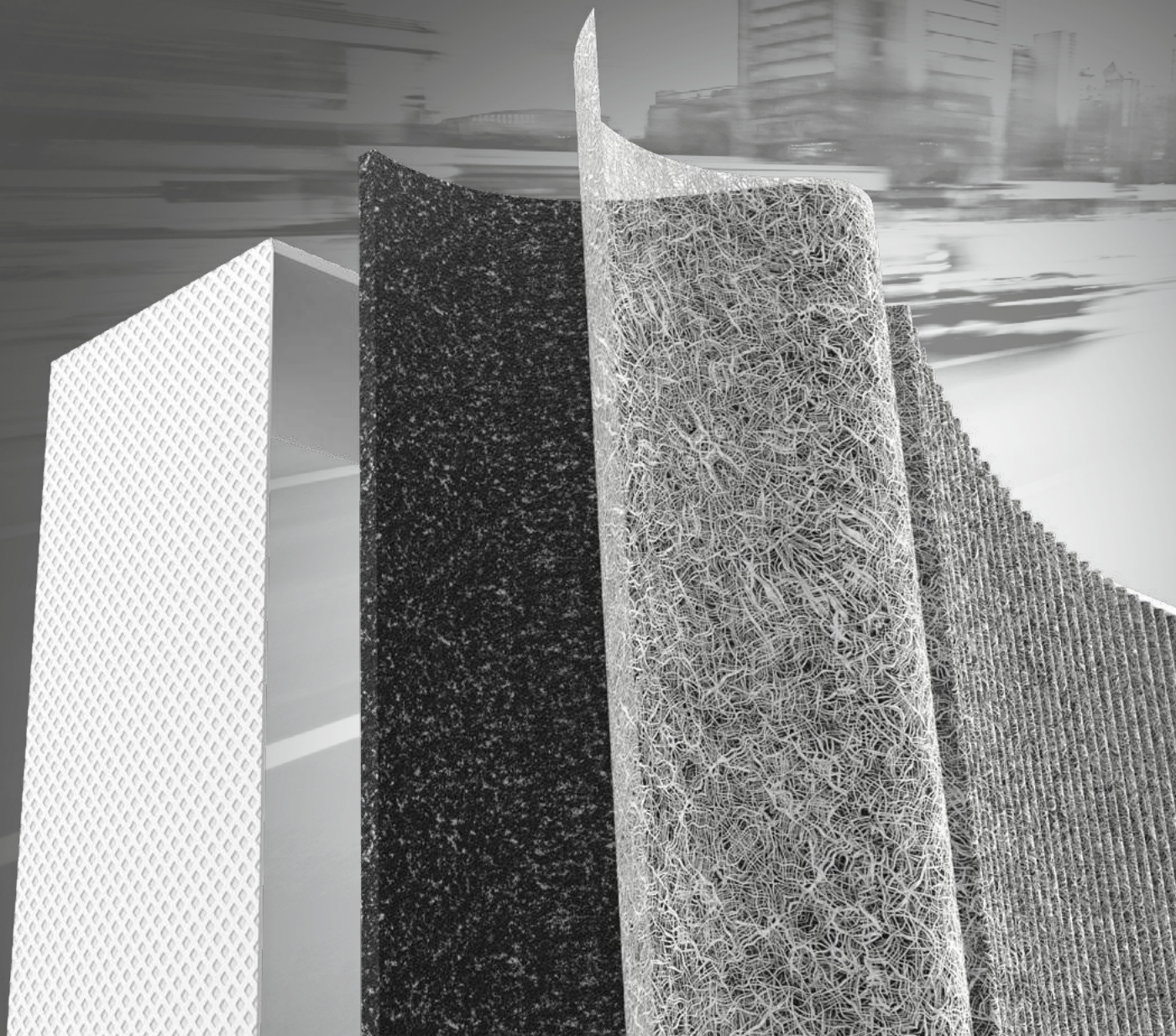
Plastic body



PLUS

- + **High initial efficiency:** >98.5 % with particles up to 4 µm.
- + Integration of the filter **within the airbox**.

CABIN AIR FILTERS



MAXIMUM PROTECTION FROM IMPURITIES

The main purpose of the cabin air filter is to **protect against pollution** (dust, soot, combustion gases, bacteria and pollen) that we unconsciously inhale daily in the vehicle interiors.

The cabin air filter range of **UFI Filters** ensure **high efficiency and high humidity resistance** for the welfare, health and safety of the driver and passengers on board.

The **lack of the cabin air filter**, or failure to **replace it at the regularly scheduled** intervals, leads to poor air quality inside the car, resulting in:

- an accumulation of dust that triggers allergies, throat discomfort or sneezing;
- fatigue and poor concentration after prolonged driving; and
- poor visibility due to condensation that builds up on the windscreen and side windows.

THE RANGE

CABIN AIR FILTERS

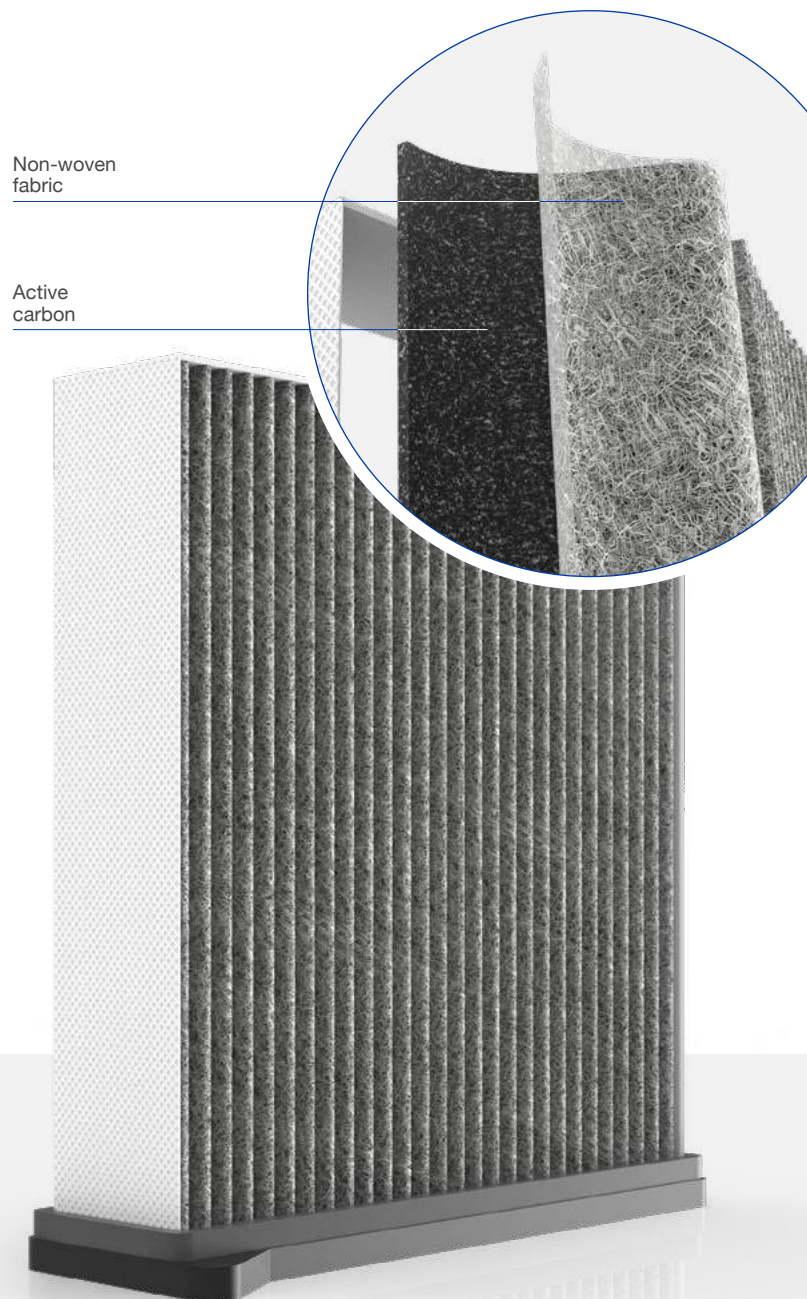
DESCRIPTION

The **UFI Filters range** allows the driver and passengers of each car to **breathe clean air** inside the cabin. **Over 300 references** are made for **60% of pollen filters**, produced with non-woven fabric synthetic material, capable of **retaining more than 90% of particles with a diameter greater than 2.5 µm**, such as dirt and pollens.

The remaining **40% includes** filters produced with filter material in **non-woven fabric combined with active carbon**, which also prevent **particles of between 0.01 and 2 µm** (gas, bacteria, fungi, odours) penetrating into the cabin and thereby ensuring optimal comfort.

Cabin air filters are currently **fitted as standard in 97 out of every 100 new cars** sold in **Europe** and are the only family of filters showing **double-digit growth rates** yearly.

The **UFI Filters cabin range is constantly evolving** to ensure the highest coverage of the European car parc.



PLUS

- + High filtration efficiency.
- + High humidity resistance.

THE AFTERMARKET BUSINESS UNIT



THE BEST OFFER FOR THE INDEPENDENT AFTERMARKET

Based in Verona, Italy, the **Aftermarket Business Unit** has been an **independent entity since 2014** with a clear development strategy. Comprising **more than 100 professionals all over the world**, it brings together various departments to offer excellent customer service: from product development to marketing (with the constant support of the sales force), from logistics (ensuring a precise, fast and flexible service) to quality (making sure the OE standards are always the same in the aftermarket range) and customer service (always alongside the customer).

12 sales offices guarantee a widespread presence in all the key business for **UFI Filters**: Europe, China, India, North and South America, North Africa and the Middle East.

Aftermarket products are sold in **over 70 countries** in partnership with the **leading distributors**. The range consists of **more than 2,850** car, heavy duty, agricultural and motorbike references.

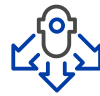
The range is always being updated, taking full advantage of the powerfully innovative stimulus of the OE field to offer customers the best possible service. It guarantees a European car park **coverage of over 96%** for each line: oil, fuel, air and cabin air.

THE GROUP BY NUMBERS



Founded in **1971**, it's now a world leader in filtration technology.

1971



10 application sectors: from automotive (LV/HD), industry and hydraulics to special applications.

10



17 production plants and over **4,000 employees** in **16 countries** worldwide.

4.000



Present everywhere, from **Ferrari** racing cars to the other **F1 teams** and the **ExoMars** spacecraft.

F1



It's one of the main suppliers of filtering systems for **OEMs**, and a world leader in diesel filtration.

1°



168 specialised technicians in the innovation and development centers in Italy and China.

168



Over 200 international **patents**.

>200



5% of proceeds reinvested in **R&D**.

5%



6 lines of filters supplied: air, oil, fuel, passenger compartment, hydraulics and coolant.

6



The IAM range, with over 2850 references, covers more than **96% of the European car** fleet in each line.

>96%



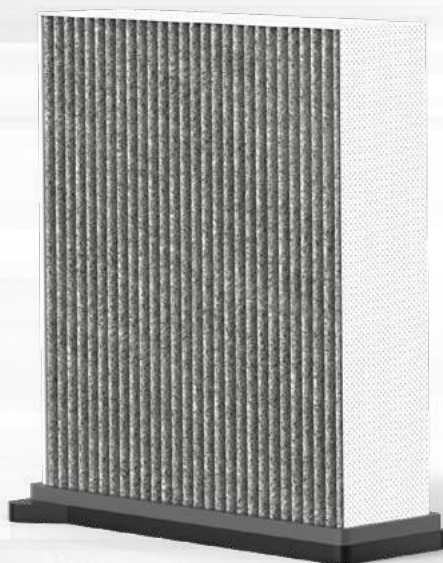
Double digit percentage sales **growth in every year** since 2009.

+10%



A vast range of **hydraulic filters**, with over **3885 references**.

3885



For further information
www.ufifilters.com

2019 – Copyright © UFI FILTERS spa



Cod. 95.100.19

LEGAL AND ADMINISTRATIVE OFFICES

Via Europa, 26
46047 Porto Mantovano (MN) - Italy
T +39 0376 386811 - F +39 0376 386812
ammin@it.ufifilters.com - www.ufifilters.com

TECHNICAL/SALES DIVISION AND OFFICES

Via dell'Industria, 4
37060 Nogarole Rocca (VR) - Italy
T +39 045 6339911 - F +39 045 6395011
commerc@it.ufifilters.com - www.ufifilters.com

